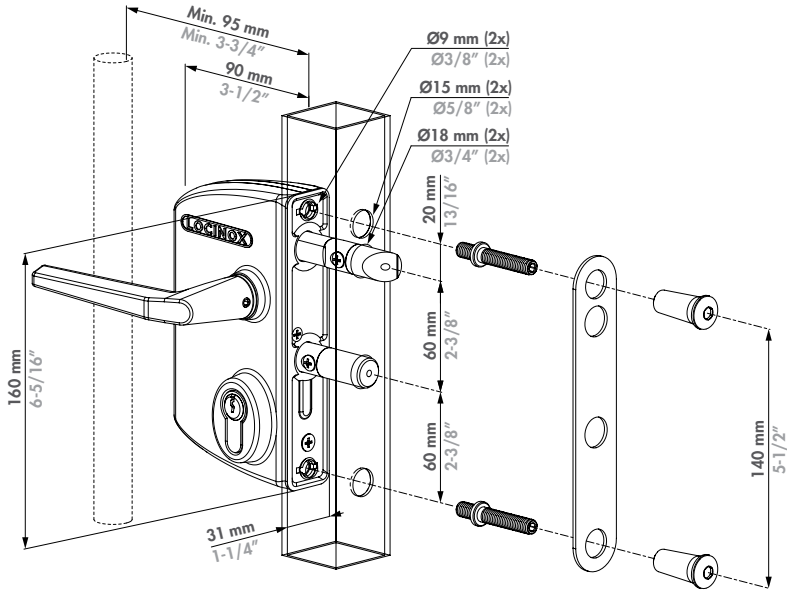


# LOCINOX<sup>®</sup>

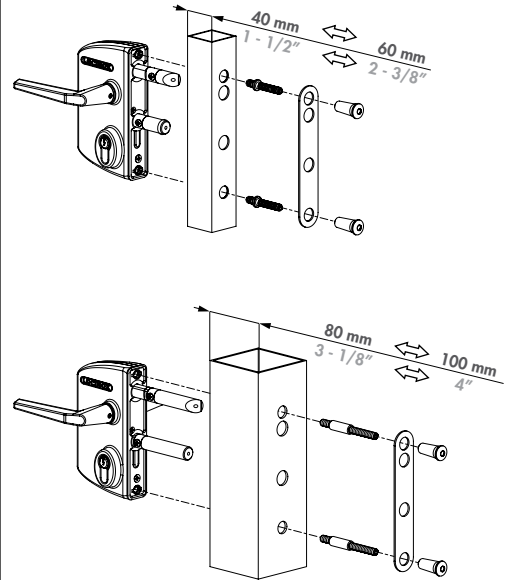
Let's make better fences together

## LPKQ U2

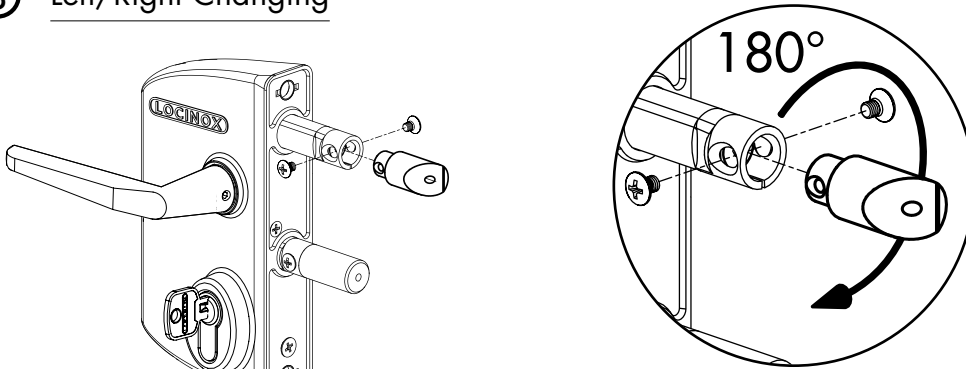
### ① Exploded view & Dimensions



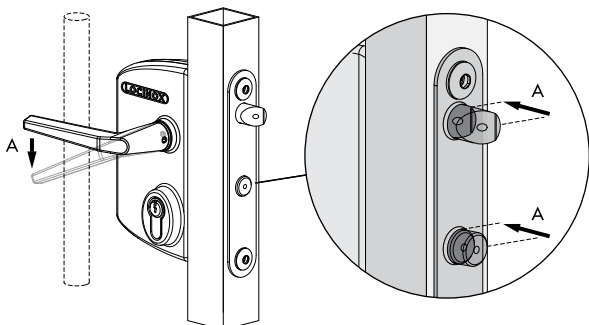
### ② Profile types



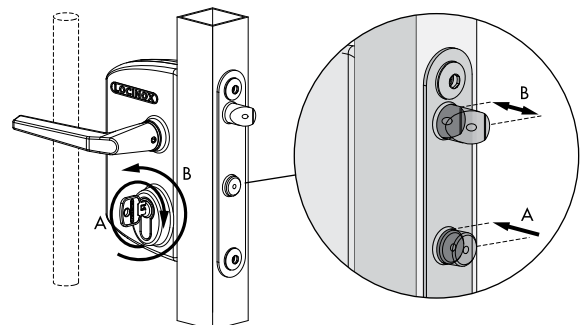
### ③ Left/Right Changing



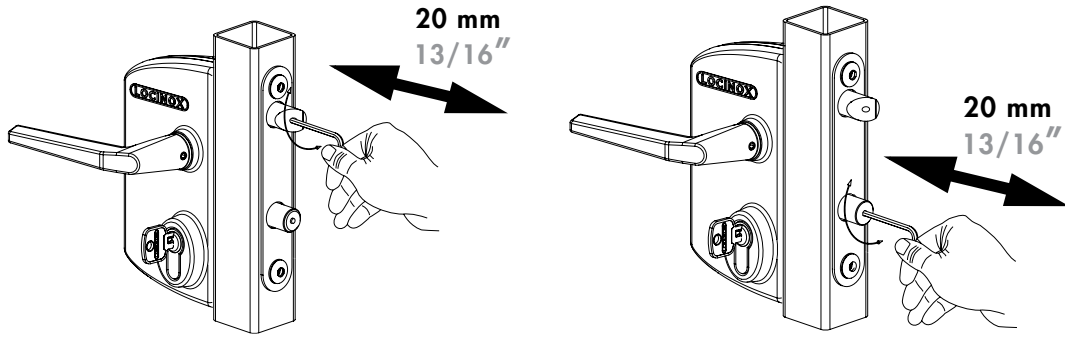
### ④ Handle Operation / Panic function



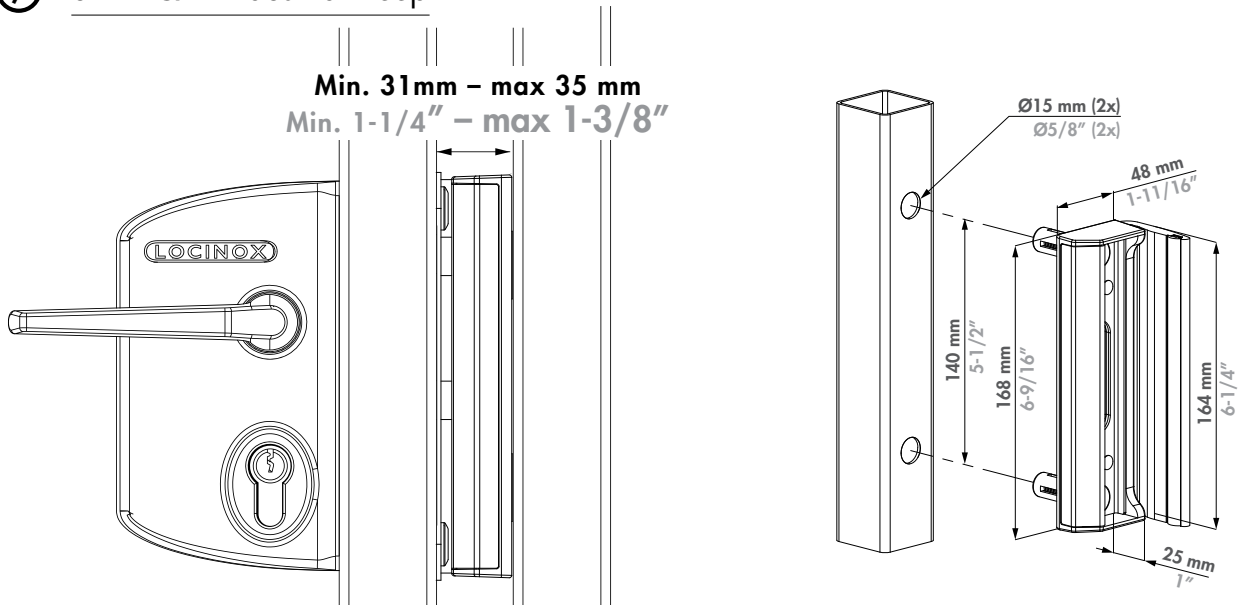
### ⑤ Key Operated (B) & Throw (A)



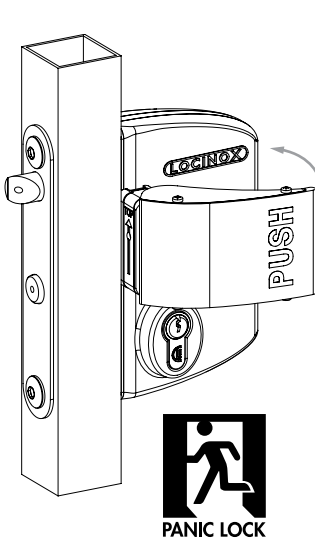
⑥ Throw Adjustment



⑦ SAKL QF - Industrial Keep



⑧ Remarks



Lock can be part of an EN179 installation. Approval of total emergency-exit closure system is necessary. Additional Local / National Regulations may apply.



**REMOVE THE KEY FOR SECURE ANTI-PANIC FUNCTIONING!**

**LOCINOX**<sup>®</sup>  
WWW.LOCINOX.COM

**Doc. Nr.: MANU-000228**



Locinox nv • Mannebeekstraat 21 • B-8790 Waregem • Belgium  
Tel. +32 (0)56 77 27 66 • Fax. +32 (0)56 77 69 26 • E-mail: locinox@locinox.com

\* M A N U - 0 0 0 2 2 8 \*