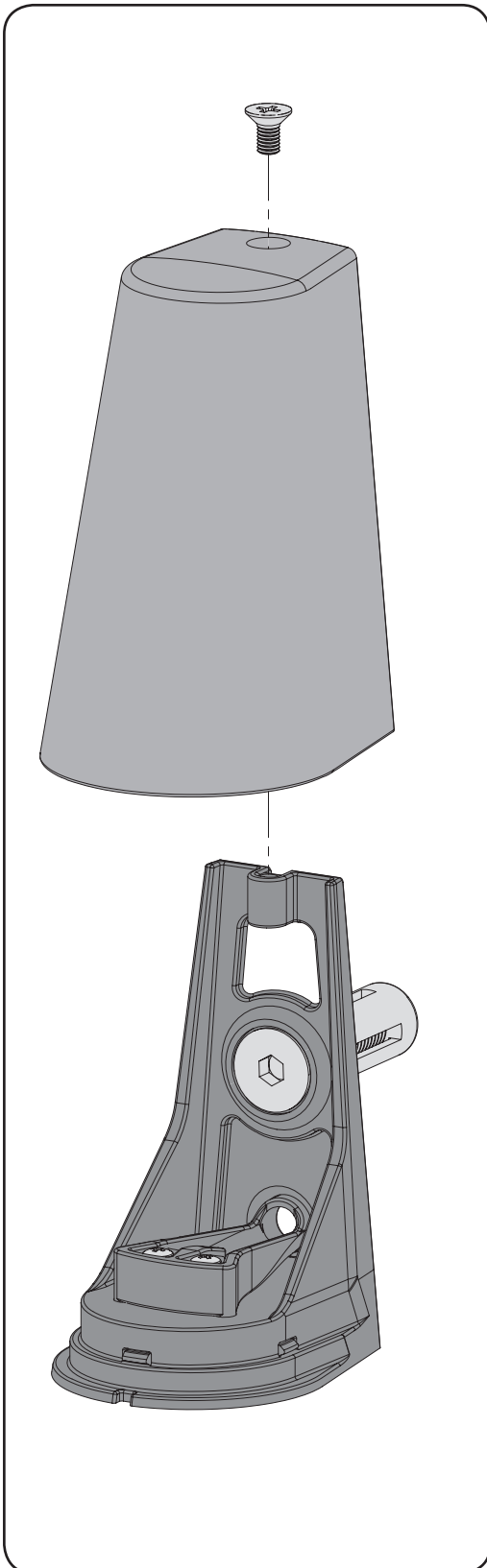
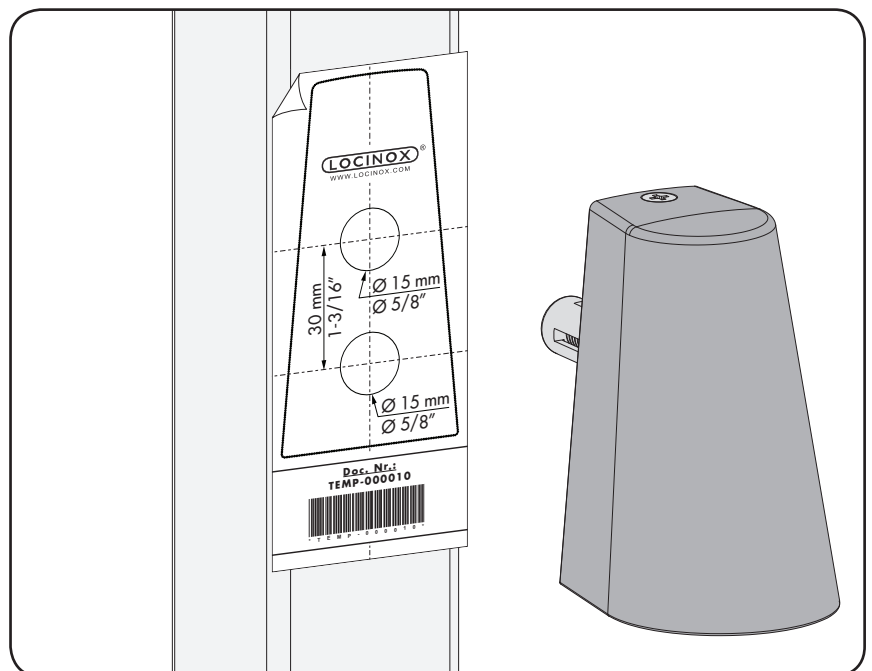
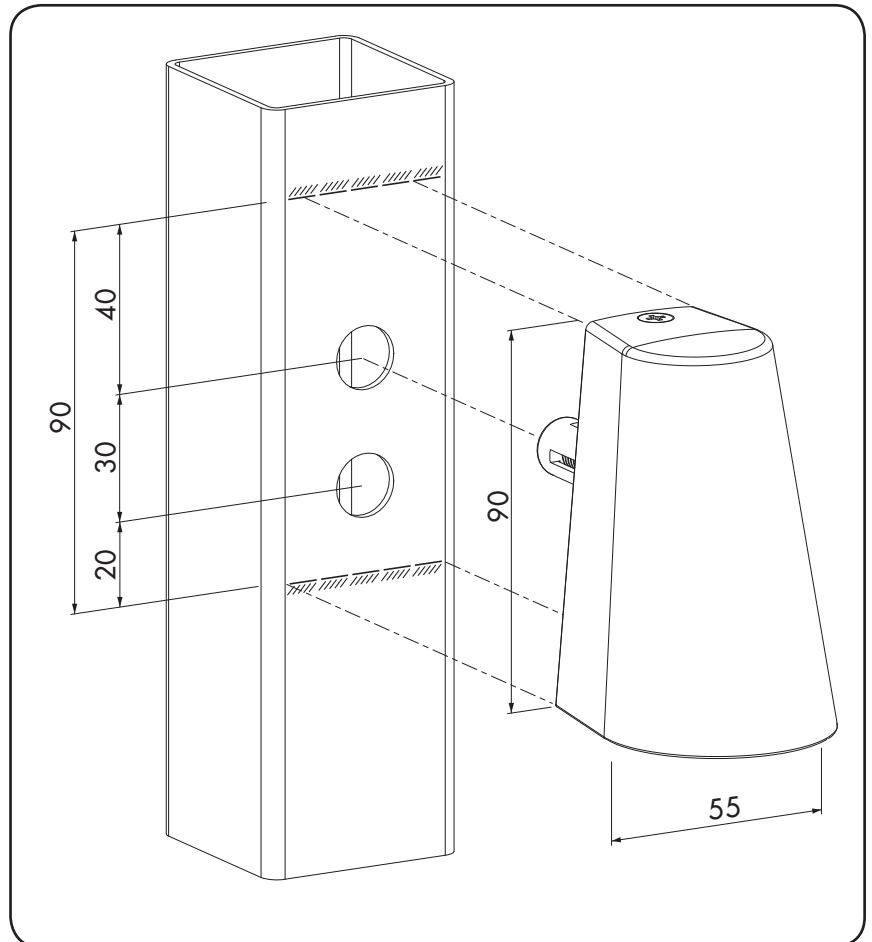


## CODE: TRICONE-1

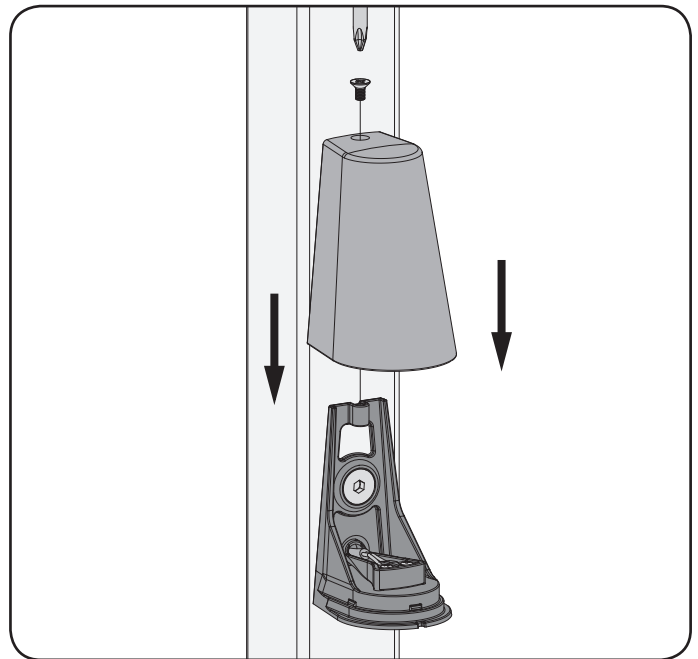
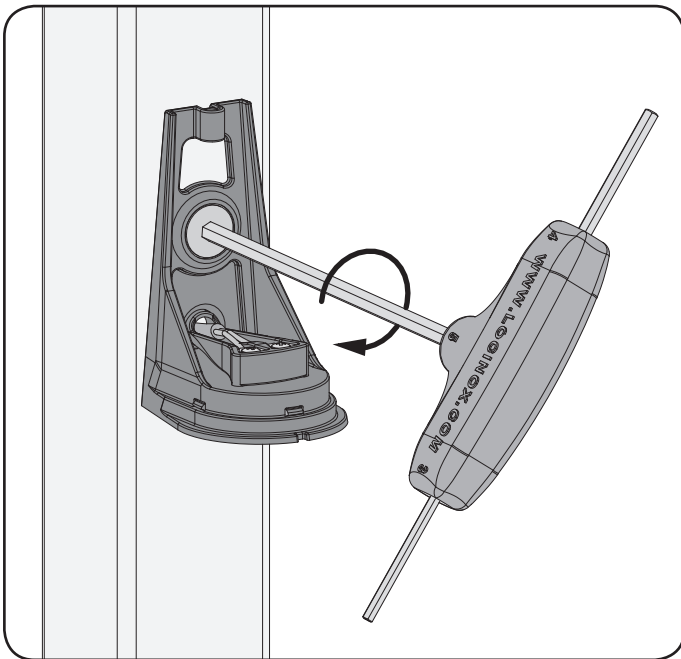
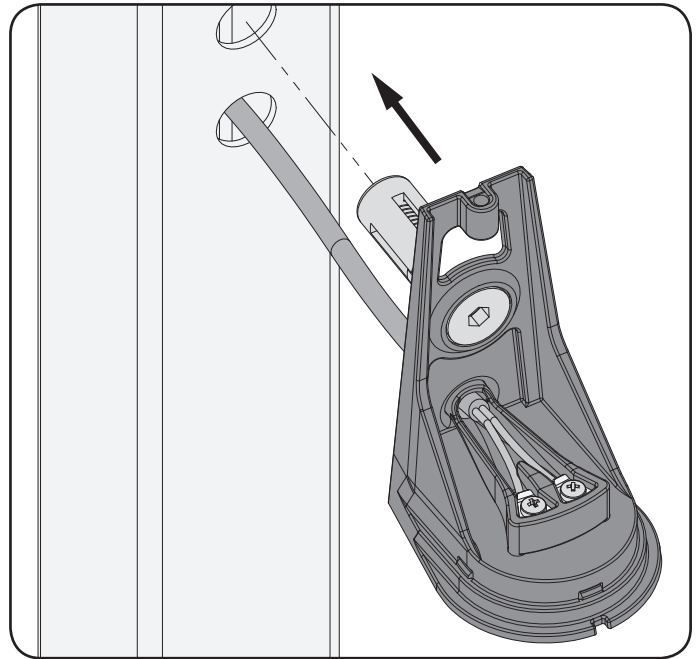
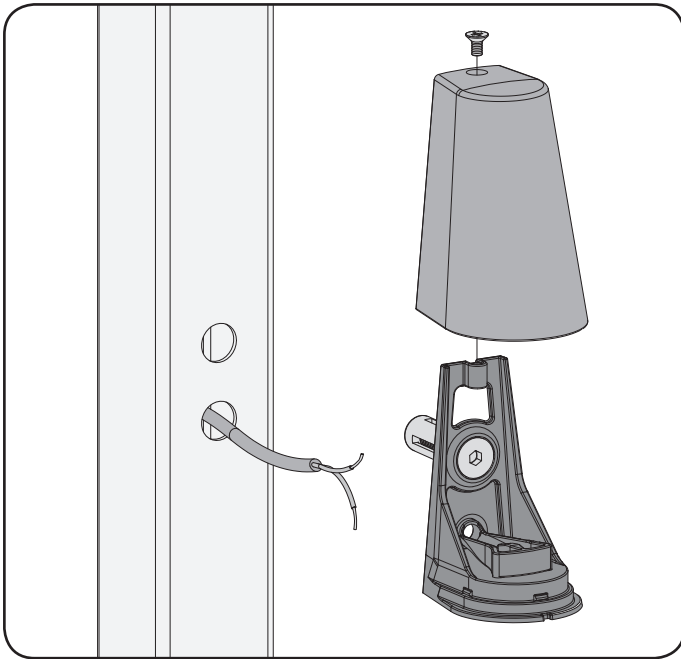
① Exploded view



② Profile preparation



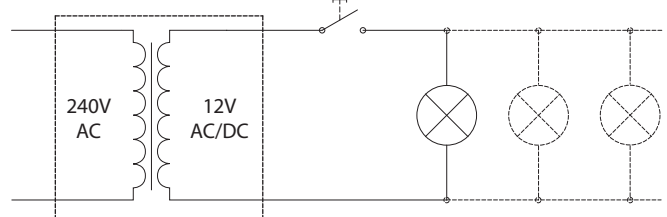
### ③ Fixing TRICONE-1



### ④ Specifications

- Soft LED spot - 140° Beamangle
- 3 White High Flux LED's - Only 1 W
- Lamp Life (Rated): 50.000 hrs
- Input voltage: 12 V AC / DC
- Excl. power supply
- Recommended power supply: LOCINOX:  
DC-POWER-12V/20W or AC-POWER-12V/25W
- Weatherproof: IP54

LOCINOX POWER SUPPLY:  
AC-TRANS-12V/20W  
DC-POWER-12V/25W



**LOCINOX**<sup>®</sup>  
WWW.LOCINOX.COM

**Doc. Nr.: MANU-000080**



\* M A N U - 0 0 0 0 8 0 \*

Locinox nv • Mannebeekstraat 21 • B-8790 Waregem • Belgium - Europe  
Tel. +32 (0)56 77 27 66 • Fax. +32 (0)56 77 69 26 • E-mail: locinox@locinox.com

Diese Datei wird Ihnen bereitgestellt von:



ATTAS GmbH, Boschstraße 25, 71336 Waiblingen  
Telefon: 07151 / 36 90 2 – 0 Fax: 07151 / 36 90 2 – 190  
eMail: [info@attas.de](mailto:info@attas.de) Website: [www.attas.de](http://www.attas.de)